

PulseJet Valves

Trunnion Mounted • Severe-Service • Metal Seated Ball Valves

PulseJet Valves

ValvTechnologies' pulsejet valve is a fast-acting, high-cycle fugitive emissions valve designed to send a pulse of gas through a pipeline system. A trunnion-mounted ball valve, capable of 90° or 180° rotation in speeds as low as 0.5 seconds or faster, this fast actuation speed is what creates the gas "pulse" through the pipeline system. Pulsejet systems can be used to clean system filters, spray chemicals in an injection type system, or pulse debris/media through a pipeline to prevent clogging.

ValvTechnologies is the leader in the fast-acting, high-cycle, fugitive emissions valves. This technology is unmatched in the industry.

ValvTechnologies provides field proven solutions for severe service applications.

Applications:

Reductor

Gasification of charcoal

Gas cooling

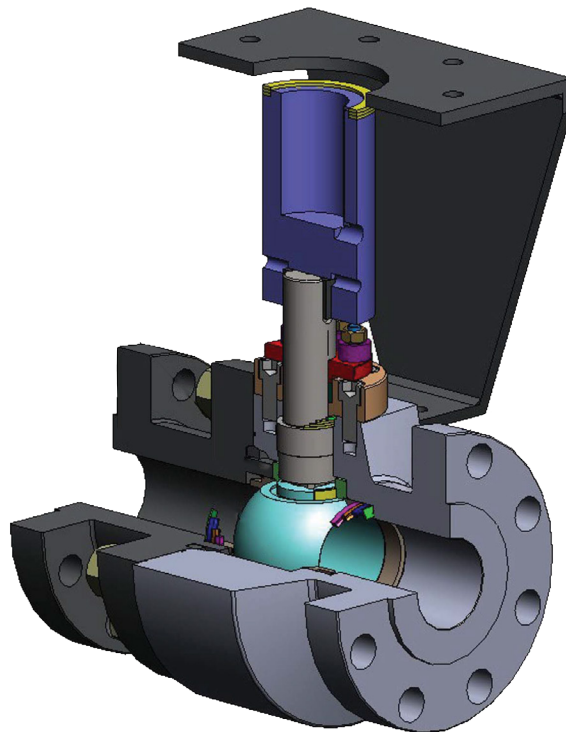
Phyrolysis of coal

Combustor

Combustion of coal/
charcoal

Melting of ash

Discharge of ash as slag



- Two piece NexTech®
- 2"-6"
- CL 150 - CL 1500

Key Design Features and Benefits

These systems cycle many thousands of times per day. Conventional packing systems cannot handle the abuse of the fast cycle speed, combined with the high cycle count. ValvTechnologies' EcoPack™ solution was designed to address this challenge. The EcoPack™ seal has been lab-tested at high pressure and line temperature to 450°F for over 500,000 cycles, requiring zero adjustments or maintenance. This equals longer plant operation between maintenance intervals, improved site safety and less emissions from the stem packing.

Low maintenance costs with two-piece, split-body design

PulseJet Valve Features and Benefits	
Features	Benefits
Guaranteed tight shut-off	Enhanced process safety and repeatable sealing allows operation under process excursions
True metal-to-metal sealing without using secondary elastomeric seals	Inherent fire safety
Two piece, split-body design	Increased safety and ease of maintenance
HVOF RiTech™ coating technology	Extended life even in the most severe conditions, reduced maintenance costs, process reliability, enhanced process safety
Grafoil® seals	Reduced maintenance costs
Double block-and-bleed capability	Enhanced process safety
High-cycling capability	Process reliability
Bi-directional sealing by design	Enhanced process safety, lower maintenance, less downtime
Single-piece anti blow-out stem design	Enhanced process safety
Impervious to high thermal cycling	Enhanced process safety
Live-load stem packing (four-bolt design)	Lower emissions
Stem fugitive emissions per ISO 15848-1 Class B	Lower emissions and enhanced process safety
Fire safe certification: API-607	Enhanced process safety

PulseJet Valves



ValvTechnologies, Inc. is a global leader in the design and manufacturing of flow control devices. Founded in 1987 and headquartered in Houston, Texas, ValvTechnologies remains focused on helping customers meet their daily production and process challenges safely and efficiently.

Having built a global reputation for superior quality and dependability across every industry, ValvTechnologies has served with products designed to fulfill the requirements of standard applications to the most sophisticated, severe-service processes. ValvTechnologies meets the demands for total flow control solutions, whether one valve at a time, or system-wide.

Bringing together the best people and the latest in technological design and manufacturing processes, ValvTechnologies has created an atmosphere where quality and dependability are built into every product, start to finish.

Worldwide Office Locations

Headquarters & Manufacturing

ValvTechnologies, Inc.
5904 Bingle Road
Houston, Texas 77092 U.S.A.
Telephone +1 713 860 0400
Fax +1 713 860 0499
info@valv.com

To locate a distributor or satellite office near you, visit us online at: www.valv.com

To contact sales anywhere in the world, email sales@valv.com

Peru

Lima
peru@valv.com

Brazil

São Paulo
brazil@valv.com

United Kingdom

Stockton-on-Tees
europa@valv.com

Australia

Brisbane
australia@valv.com

China

Shanghai
china@valv.com

China

Chengdu
china@valv.com

China

Beijing
china@valv.com

Eastern Europe

Warsaw
poland@valv.com

Middle East

Dubai
middle.east@valv.com

India

Chennai
india@valv.com

Japan/Korea

Seoul
korea@valv.com

Spain

Madrid
spain@valv.com